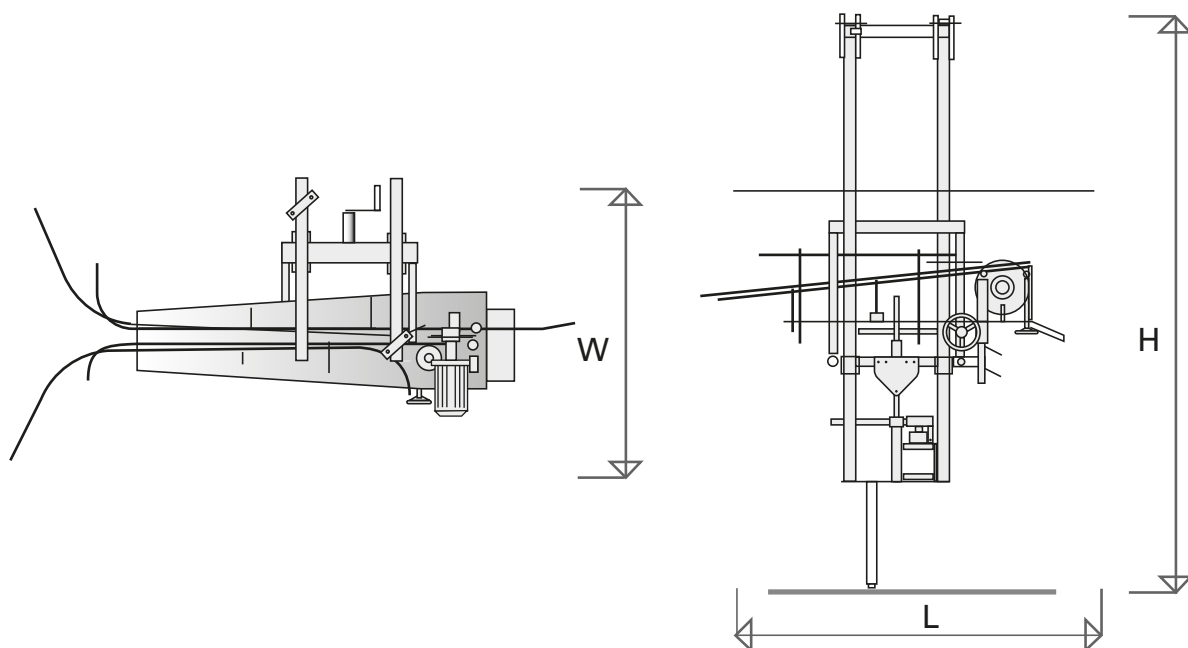


# Meyn killer for turkeys



Product live weight range	kg	3-25	3-25
Capacity	BPH	2,900	3,600
Shackle pitch	inch	15"	12"
Length (L)	mm	2,630	2,630
Width (W)	mm	1,360	1,360
Height (H)	mm	2,640-3,640	2,640-3,640
Weight	kg	350	350
Electric power installed	kW	0.75	0.75
Water connection	BSP	1/8"	1/8"
Water consumption	m <sup>3</sup> /h	0.2	0.2

## Head office:

Meyn Food Processing Technology B.V.  
 Westeinde 6, 1511 MA Oostzaan (Amsterdam)  
 P.O. Box 16, 1510 AA Oostzaan  
 The Netherlands

**T:** +31 (0)20 2045 000  
**F:** +31 (0)20 2045 001  
**I:** www.meyn.com

**MEYN**

Poultry Processing Solutions

# Meyn killer for turkeys

- Wide weight range can be processed within one machine setting.
- Exact positioning of the bird in machine results in high performance.
- Inlet guides designed to overcome wing damage.
- Very sturdy construction.

