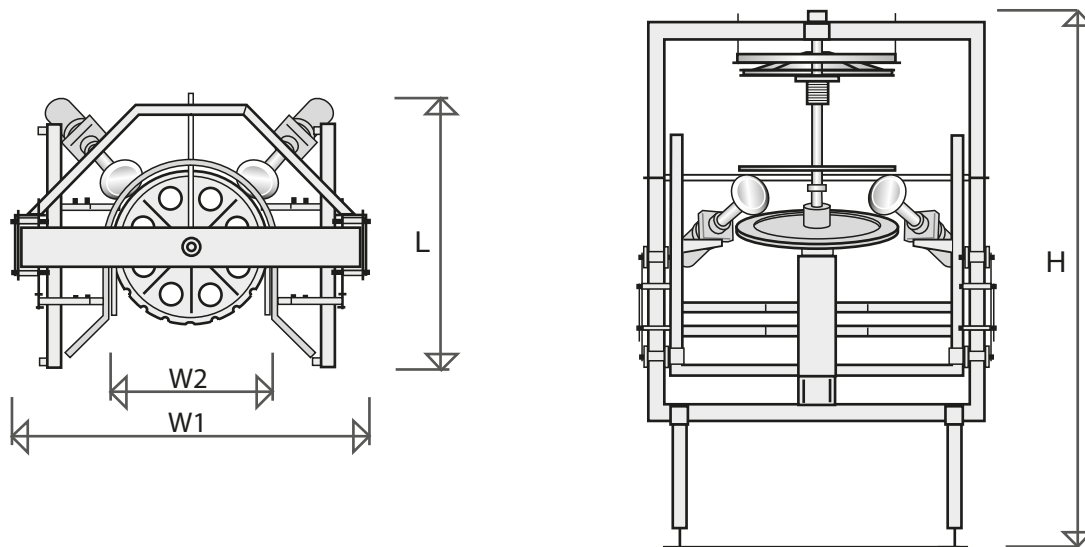


# Meyn hock cutter for turkeys



Capacity	BPH	2,900	3,600
Live weight	kg	3-25	3-22
Number of units		8	10
Shackle pitch	inch	15"	12"
Length (L)	mm	1,900	1,900
Width (W1)	mm	970	970
Width (W2)	mm	2,210	2,210
Height (H)	mm	3,325	3,325
Weight	kg	350	350
Electric power installed	kW	2x1.4	2x1.4

## Head office:

Meyn Food Processing Technology B.V.  
 Westeinde 6, 1511 MA Oostzaan (Amsterdam)  
 P.O. Box 16, 1510 AA Oostzaan  
 The Netherlands

**T:** +31 (0)20 2045 000  
**F:** +31 (0)20 2045 001  
**I:** www.meyn.com

**MEYN**

Poultry Processing Solutions

# Meyn hock cutter for turkeys

- Clean anatomic cut through joint.
- Wide weight range can be processed within one setting.
- Sturdy and stable construction.

