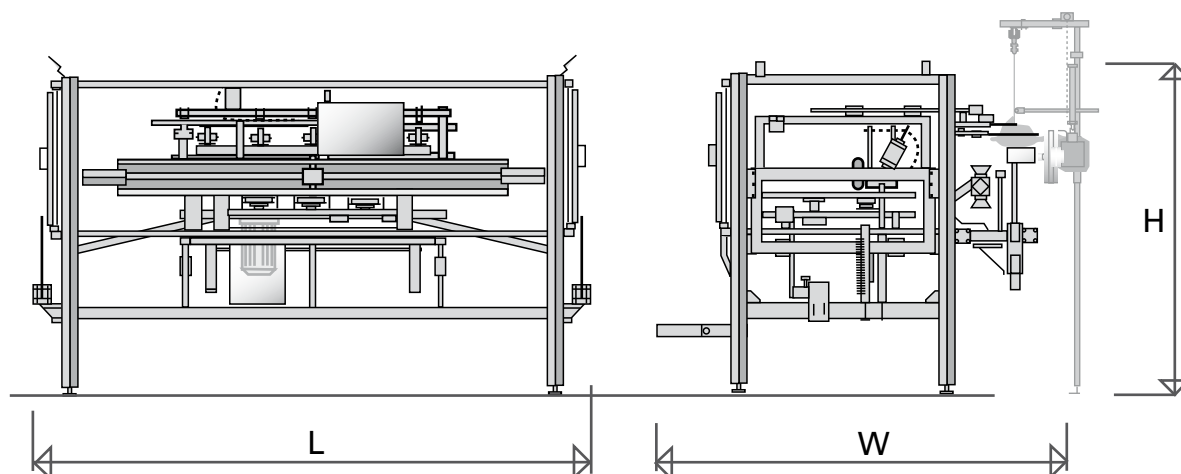


Meyn Thor eviscerator for turkeys



Capacity	BPH	3,600	2,900
Live weight	kg	3-15	3-22
Number of units		6	5
Shackle pitch	inch	12"	15"
Length (L)	mm	4,000	4,000
Width (W)	mm	2,350	2,350
Height (H)	mm	2,300	2,300
Weight	kg	2,400	2,400
Electric power installed	kW	1.1	1.1
Water connection	BSP	1/2"	1/2"
Water consumption	m ³ /h	1.5	1.5
Compressed air connection	BSP	1/2"	1/2"
Compressed air consumption	m ³ /h	25	25

Technical Data Sheet

Head office:

Meyn Food Processing Technology B.V.
 Westeinde 6, 1511 MA Oostzaan (Amsterdam)
 P.O. Box 16, 1510 AA Oostzaan
 The Netherlands

T: +31 (0)20 2045 000
F: +31 (0)20 2045 001
I: www.meyn.com

MEYN

Poultry Processing Solutions

Meyn Thor eviscerator for turkeys

- Viscera pack is hanging down, not touching the carcass.
- Virtually no contamination on the carcass.
- Excellent liver quality.
- Large weight range can be processed within one machine setting.
- Automatic cleaning of each processing unit after every cycle.

