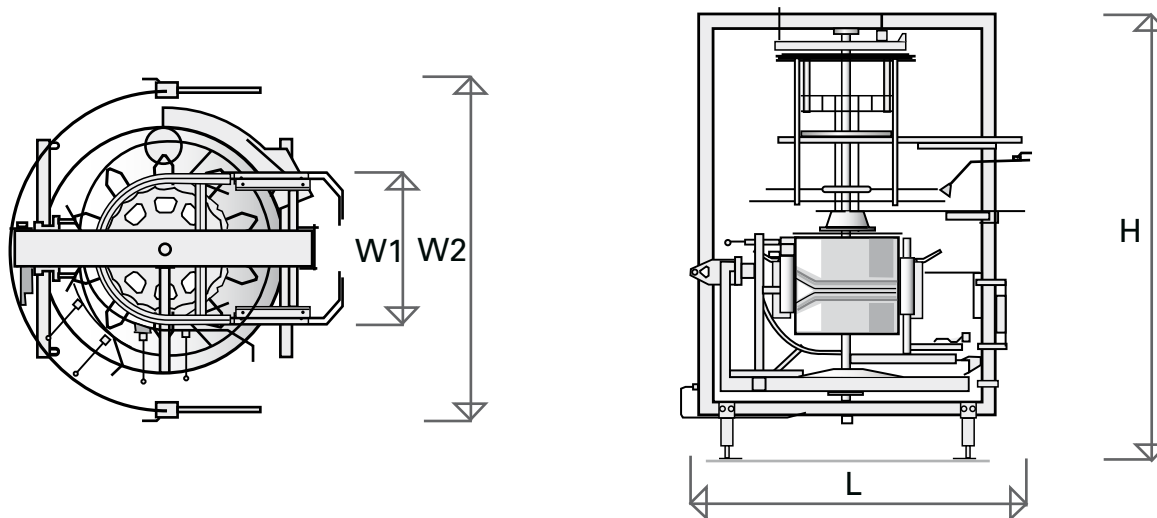


# Meyn neck breaker for turkeys



Product live weight range	kg	3-22	3-22
Capacity	BPH	2,900	3,600
Shackle pitch	inch	15	12
Number of units		8	10
Length (L)	mm	2,385	2,385
Width (W1)	mm	970	970
Width (W2)	mm	2,370	2,370
Height (H)	mm	3,270	3,270
Weight	kg	1,250	1,300
Water connection	BSP	1/2"	1/2"
Water consumption	m <sup>3</sup> /h	0.5	0.5
Drain connection	mm	250	250

## Head office:

Meyn Food Processing Technology B.V.  
 Westeinde 6, 1511 MA Oostzaan (Amsterdam)  
 P.O. Box 16, 1510 AA Oostzaan  
 The Netherlands

**T:** +31 (0)20 2045 000  
**F:** +31 (0)20 2045 001  
**I:** www.meyn.com

**MEYN**

Poultry Processing Solutions

# Meyn neck breaker for turkeys

- Also suitable for processing of heavy birds.
- Stable and sturdy design.
- Double slide blocks ensuring a uniform cut.
- No wing damage.

