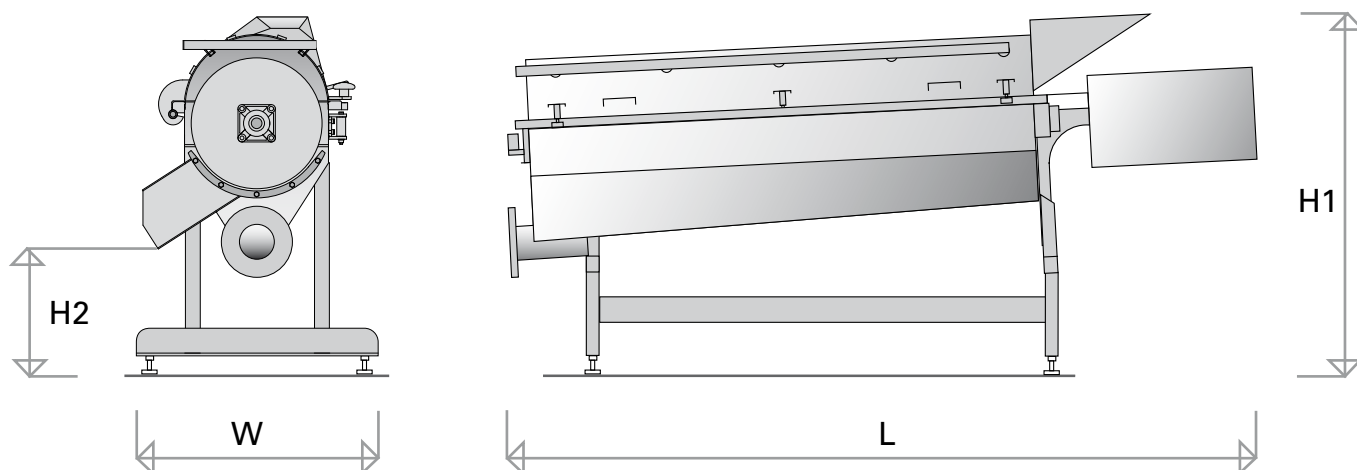


Meyn gizzard defatter/washer for turkeys



Capacity	BPH	3,600
Live weight	kg	6-22
Length (L)	mm	2,400
Width (W)	mm	700
Input height (H1)	mm	930-1,180
Discharge height (H2)	mm	170-420
Weight	kg	300
Electric power installed	kW	3.0
Water connection	BSP	3/8"
Water consumption	m ³ /h	0.8-1.2
Drain connection	BSP	DN 100

Technical Data Sheet

Head office:

Meyn Food Processing Technology B.V.
 Westeinde 6, 1511 MA Oostzaan (Amsterdam)
 P.O. Box 16, 1510 AA Oostzaan
 The Netherlands

T: +31 (0)20 2045 000
F: +31 (0)20 2045 001
I: www.meyn.com

MEYN

Poultry Processing Solutions